

Specifications

Product	Multi-Channel Anemomaster PRO Main Unit	
Model	Model 1590-00	
Display, Operation	7-inch color LCD with touch panel	
Communication Function	Data	USB Type-A: For USB memory
	Remote measurement	Modbus (Ethernet, USB Serial)
	Between units	RS485 (Standard cable)
Recording Media	Medium	Built-in memory
	Format	CSV format
	Recording capacity	8GB (One hub unit can measure 1000 sampling times, about 24500 times.)
External Trigger Input	Pin jack terminal Φ2.5 audio jack (Edge detection at start)	
Language	Japanese, English, Chinese	
Power Supply	DC12 to 24V (Select either one of 3 options below) 1) Connection with other unit, 2) AC adaptor (90W or 160W), 3) DC power cable	
Power consumption	10W	
Size	W220 mm × D130 mm × H40 mm	
Weight	0.6 kg	
Standard Accessories	AC Adapter (90W), Software (CD), Operation manual, USB cable, Stylus pen, Rubber cap	
Warranty	1 year	

Product	HUB Unit	
Model	Model 1591-00	
Number of channels	12ch	
Communication Function	Between Probes	Serial communication (standard cable)
	Between Units	Serial communication (standard cable, connector)
Power Supply	DC12 ~ 24V Power supply method conforms	
Power consumption	to the main unit	
Size	Up to 50W	
Weight	W220mm × D130mm × H40mm	
Standard Accessories	0.5kg Setup guide, Connecting clips (2pcs)	
Warranty	1 Year	

Product	Analog Unit		
Model	Model 1592-00		
Number of channels	12ch		
Communication Function	Between units	Serial communication (standard cable, connector)	
Analog Output	Voltage output	Range 0 ~ 5V	
	Current output	Output resistance	1kΩ
		Range	4 ~ 20mA
	Load resistance	250Ω	
Power Supply	DC12 ~ 24V Power supply method conforms to the main unit		
	10W		
Size	W220mm × D130mm × H40mm		
Weight	0.5kg		
Standard Accessories	Setup guide, Connecting clips (2pcs), Rubber cap (2pcs), Terminal block (3pcs)		
Warranty	1 year		

Common specifications for unit

Operating Environment	5~40°C, 0~85%RH (No Condensation)
Storage Environment	-10~60°C, 0~90%RH (No Condensation)

Specification of Probe

Model Number	Measurement Target	Directivity	Air Velocity		Responsivity	Wind Temperature		Humidity		Operating Temperature	Temperature compensation sensor	
			Measurement Range	Measurement Accuracy		Measurement Range	Measurement Accuracy	Measurement Range	Measurement Accuracy			
0972-00	Wind	Yes	0.01~50.0m/s	The larger of ± 2% or ± 0.02 m/s of the displayed value	1 second	—	—	—	—	0-100°C	± 5% of displayed value at 0-100 °C	
0973-00			0.01~25.0m/s									
0975-00			0.01~50.0m/s									
0975-09 0975-10			0.01~50.0m/s									
0976-03 0976-04 0976-07	Speed	No	0.01~30.0m/s	The larger of ± 3% or ± 0.02 m/s of the displayed value	3 second	—	—	—	—	0-120°C	± 5% of displayed value at 0-120 °C	
0976-13 0976-14 0976-17												The larger of ± 2% or ± 0.02 m/s of the displayed value
0976-05 0976-15												
0975-21	0.01~25.0m/s	The larger of ± 2% or ± 0.02 m/s of the displayed value	0~120°C	±0.5%	0~100°C	± 5% of displayed value at 0-100 °C						
0975-31	Air Velocity, Temperature and Humidity	0.01~25.0m/s	The larger of ± 2% or ± 0.02 m/s of the displayed value	0~60°C	5~95%RH	5~80%RH: 3%RH 80~90%RH: 5%RH	0-100°C	± 5% of displayed value at 0-100 °C				

Responsivity: Indicated value gets 0.9m/s or more than 0.9m/s to "air velocity 1m/s" or the certain temperature condition



KANOMAX USA, INC.

219 US Hwy 206, Andover NJ 07821 USA
 TEL : +1 973-786-6386
 E-mail : sales@kanomax.com
 URL : www.kanomax-usa.com

● **Distribuido en México por:**
 Comercializadora Tecnométrica S.A. de C.V.
 Monterrey, Nuevo León, MEXICO
 TEL: (81) 1100-5755
 RFC: CTE100215AH5
 contacto@tecnometrica.com.mx
 www.tecnometrica.com.mx

E1590-2E



Multi-Channel Anemomaster PRO

MODEL 1590



Accurate simultaneous multi-channel measurement from large to narrow spaces

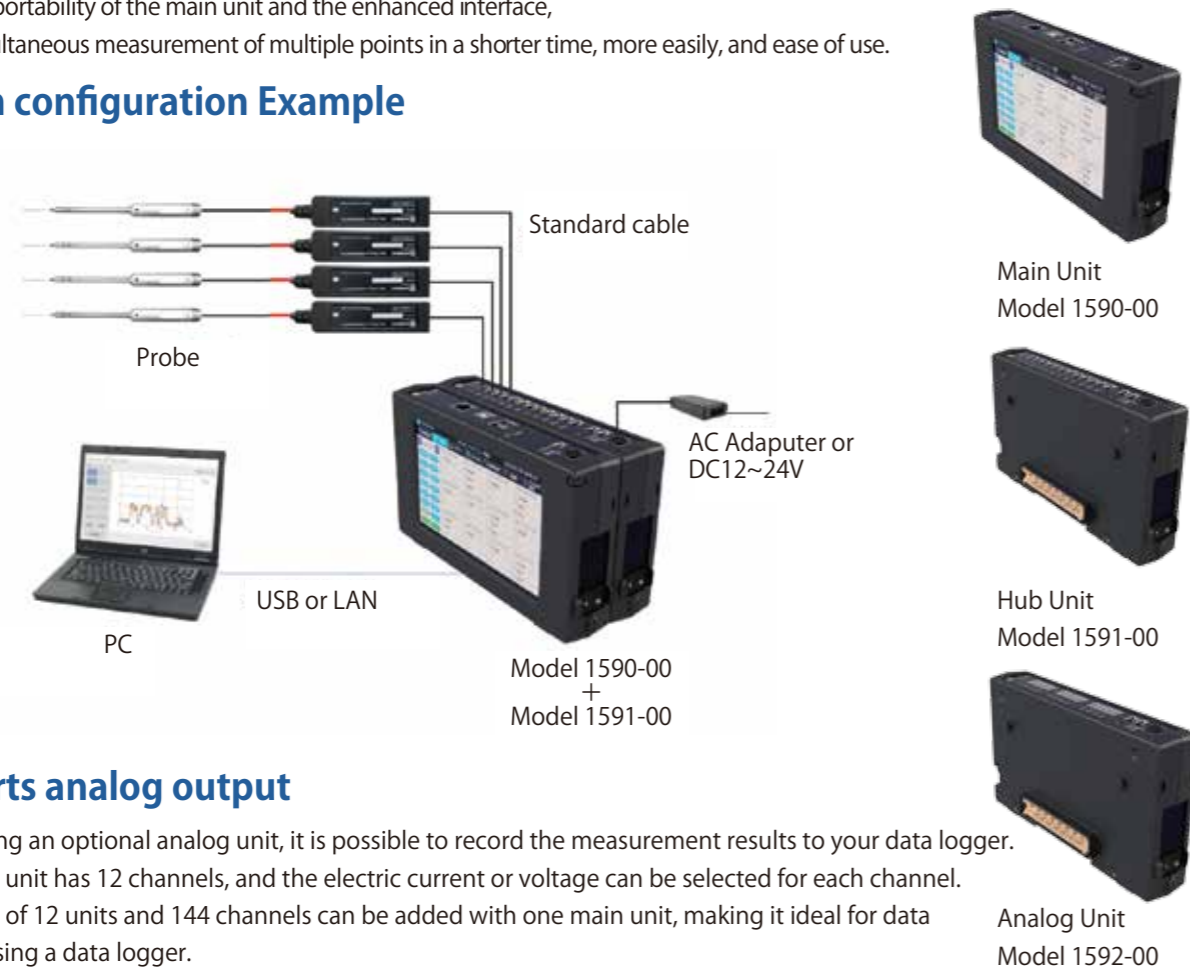
- 15 types of compatible probes for various applications
- The smallest class probe in the industry
- High heat resistance enables precise measurement even in tough environments.
- Large-scale system configuration with max.144 ch available
- Measurement in large-scale space is easy
- High portability of the main body makes it easy to use in vehicles.
- Improved probe response and accuracy, micro air velocity limit of 0.01 m/s

Flexible system construction that allows you to select the number of channels, measurement items, and sensor shape according to your purpose.

The accuracy and responsiveness of the entire velocity range, including the breeze speed range, which are highest level in the world. Multipoint measurement on up to 144 channels is realized with the industry's smallest level miniature probe, high heat resistance, and temperature measurement.

Due to the high portability of the main unit and the enhanced interface, we pursued simultaneous measurement of multiple points in a shorter time, more easily, and ease of use.

System configuration Example

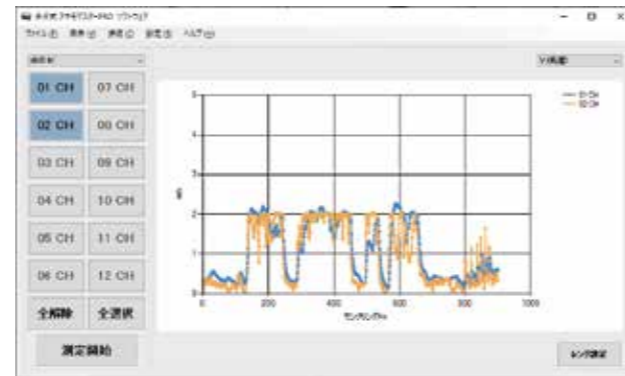


Supports analog output

By connecting an optional analog unit, it is possible to record the measurement results to your data logger. Each analog unit has 12 channels, and the electric current or voltage can be selected for each channel. A maximum of 12 units and 144 channels can be added with one main unit, making it ideal for data collection using a data logger.

Software

This product comes with a Windows version of the measurement software. Simultaneous measurement of all channels of air velocity, temperature and humidity, and real-time graph display. The measurement data is saved in text format and can be easily imported into table measurement software such as Excel. There are two types of communication interfaces, USB and LAN. There are two ways to configure the settings: by operating the touch panel on the main unit, or remotely from a PC via USB or LAN.



Application Example

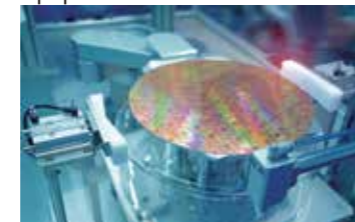
Thermal management of the ECU



Evaluation of heat measures for the electronic infrastructure



Airflow management indoors for semiconductor manufacturing equipment



Data center thermal management



Air velocity range of compatibility probes to meet a many different type of customer needs

15 Types of Probes Are Available

Model 0972-00



V : 0.01 ~ 50.0 m/s

Model 0973-00



V : 0.01 ~ 50.0 m/s

Model 0975-00



V : 0.01 ~ 25.0 m/s

Model 0975-09 / 21



V : 0.01 ~ 50.0 m/s (09)
V : 0.01 ~ 25.0 m/s (21)
T : 0 ~ 100 °C (21)

Model 0975-10



V : 0.01 ~ 50.0 m/s

Model 0976-03 / 13



V : 0.01 ~ 30.0 m/s
Operating temperature : 0 ~ 120 °C (03)
0 ~ 100 °C (13)

Model 0976-04 / 14



V : 0.01 ~ 30.0 m/s
Operating temperature :
0 ~ 120 °C (04)
0 ~ 100 °C (14)

Model 0975-31



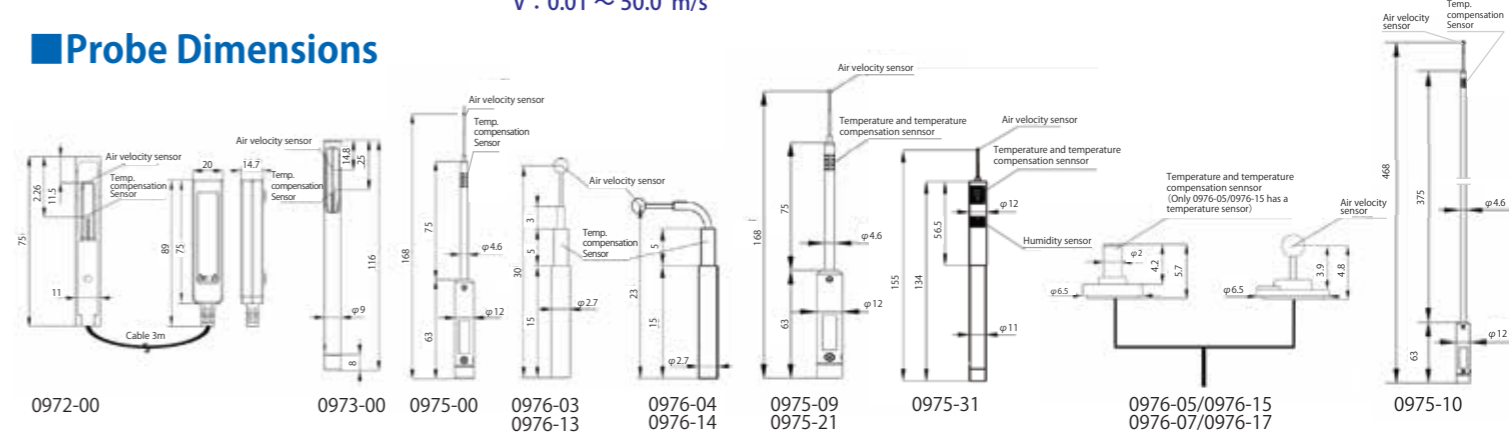
V : 0.01 ~ 25.0 m/s
T : 0 ~ 60 °C
H : 5 ~ 95 %RH

Model 0976-05 / 15 0976-07 / 17



V : 0.01 ~ 30.0 m/s
T : 0 ~ 120 °C (05 / 07)
0 ~ 100 °C (15 / 17)
Operating temperature :
0 ~ 120 °C (05 / 07)
0 ~ 100 °C (15 / 17)
Probe height : 5.8 mm

Probe Dimensions



Available Accessories

AC adapter



Model 1580-10
Output power : 90W
Input : AC100-240V
50/60Hz, 1.5A

Standard cable



Model	Length
1580-30	0.5m
1580-31	2m
1580-32	5m
1580-33	10m
1580-34	20m
1580-35	40m

DC power connection cable



Model 1580-37
Length : 2m
Supply voltage : 12 ~ 24V
Power capacity : Maximum 6.25A
(Maximum about 150W)

Probe fixing jig



Model 1580-90
Compatible probe :
0976-03/04
0976-13/14
Upper-temperature limit : 150 °C
Quantity : 20 pairs / 1 pack

Double-coated tape for 0976



Model 1580-92
Compatible probe :
0976-05/07
0976-15/17
Size : φ5.5 × t0.3mm
Upper-temperature limit : 120 °C
Quantity : 200 pairs / 1 pack



Probe fixing example



Example or probe with the double-sided tape